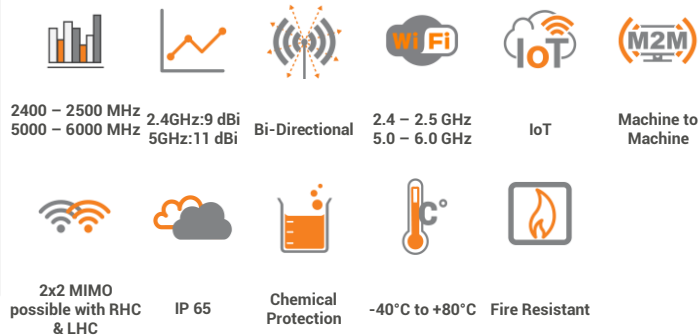


# HELI-19

ANTENNAS | HELI-19 SERIES

## CIRCULAR POLARISED, BI-DIRECTIONAL MINE/TUNNEL ANTENNA

Dual-band Wi-Fi; 2400 – 2500 MHz, 9 dBi; 5000 – 6000 MHz, 11 dBi



APPLICATION AREAS

- Circular Polarised HELI antenna provides enhanced signal propagation and connection stability within a tunnel
- Left-Hand Circular (LHC) & Right-Hand Circular (RHC) Polarised options available
- Bi-directional – radiates in both directions in a tunnel
- Ruggedized water and dust ingress protected (IP 65)
- Ideal for Mining & Tunnel M2M and IoT deployments

### Product Overview

The HELI-19 forms part of a series of Mini-HELI antennas. These antennas are only mini in size relative to their bigger brothers, the HELI-3, HELI-4 & HELI-8, but offer medium to high gain, which makes these antennas ideal for mining tunnels where IoT/M2M connectivity is deployed and can also be used for coverage into the stopes.

The HELI-19 is a dual-band 2.4 GHz and 5 GHz Wi-Fi antenna, radiating in both directions (i.e. bi-directional). This makes them ideal for the coverage of both Wi-Fi bands in mining and other type of tunnels. These antennas are typically used for the deployment of IoT within the tunnel to provide telemetry and mine automation. These antennas are available in both Left-Hand Circular (LHC) & Right-Hand Circular (RHC) polarised antenna elements to provide optimal decorrelation within a MIMO deployment when using the BRKT-45, resulting in optimum performance. The decorrelation is due to the polarisation difference and spatial diversity, between the two antenna elements, which enhances MIMO performance and RF reliability within a mining tunnel. The dual-band Wi-Fi connection propagates around tunnel bends in a Non-Line of Sight scenario and provides immunity to many Wi-Fi signal disrupting objects such as trains and drilling machinery which appear to obscure the tunnel.

### Features

- Dual port 2.4 GHz and 5 GHz Wi-Fi antenna
- This antenna is especially designed for mining and other types of tunnels where rapid extension of network is required
- Bi-directional – radiates in both directions in a tunnel
- Left & Right-hand Circular Polarised available (for MIMO)
- Intrinsically safe version available on request

### Application Areas

- Supplementing fibre/leaky feeder cable “Hotspots” to areas to enhance mobility or extend networks to inaccessible areas
- Underground telemetry and automation
- Creating of complete underground in tunnel wide data networks and internet/LTE connectivity
- Seamless connection to personnel using cellular phones and smart devices and tablets

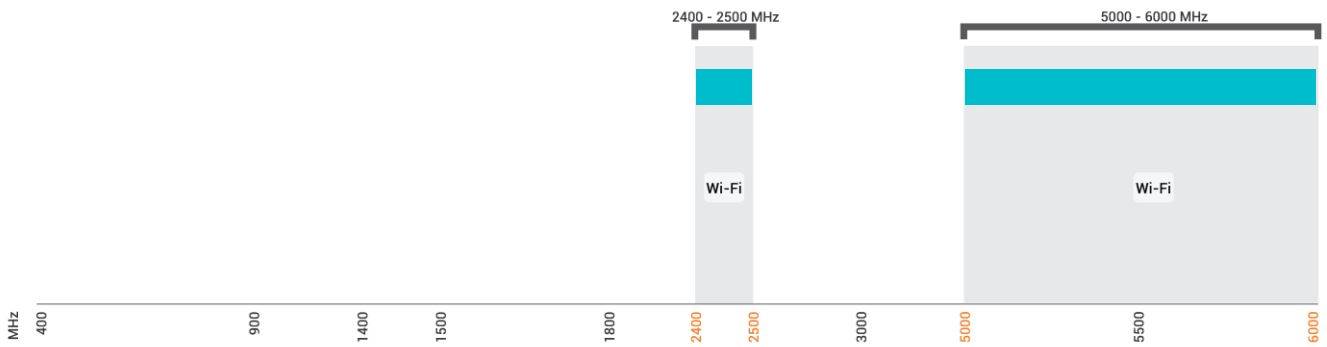


2x HELI-19 antennas mounted on the BRKT-45 for MIMO application



### Frequency Bands

The Heli-19 is a Wi-Fi / ISM antenna that works from | 2400 – 2500 MHz | and | 5000 – 6000 MHz |



Indicates the Wi-Fi bands on which Heli-19 works

### Antenna Overview

Port	1	2
Frequency Bands	2400 – 2500 MHz	5000 – 6000 MHz
Peak Gain	9 dBi	11 dBi
Coax Cable Type	RG-141	RG-141
Coax Cable Length	400mm	400mm
Connector Type	N-Type (M)	N-Type (M)
<i>*The coax cable &amp; connector are factory mounted to the antenna</i>		

### Electrical Specification

<b>Frequency Bands:</b>	2400 MHz - 2500 MHz 5000 MHz - 6000 MHz
<b>Gain (Max):</b>	9 dBi for 2400 MHz – 2500 MHz 11 dBi for 5000 MHz - 6000 MHz
<b>VSWR:</b>	<2:1 Over 90% of the band
<b>Feed Power Handling:</b>	30 W
<b>Input Impedance:</b>	50 Ohm (nominal)
<b>Polarisation:</b>	Circular Polarised (LHC or RHC)
<b>Coax Cable Loss:</b>	0.84 dB /m @ 2.4 GHz 1.47 dB /m @ 6 GHz
<b>DC Short:</b>	N/A

### Product Box Content

<b>Antenna:</b>	A-HELI-0019-V3-01
-----------------	-------------------

### Ordering Information

<b>Commercial name:</b>	HELI-19
-------------------------	---------

**a) Right-hand Circular Version**

<b>Order product code:</b>	A-HELI-0019-V3-01-R
<b>EAN number:</b>	6009710921425

**b) Left-hand Circular Version**

<b>Order product code:</b>	A-HELI-0019-V3-01-L
<b>EAN number:</b>	6009710921418

**Note:** For MIMO application, order both Right-Hand Circular and Left-Hand Circular antennas.

### Mechanical Specification

<b>Product Dimensions:</b>	631 mm x 143 mm x 116 mm
<b>Packaged Dimensions:</b>	660mm x 165mm x 140mm
<b>Weight:</b>	0.70 kg
<b>Packaged Weight:</b>	1.3 kg
<b>Radome Material:</b>	UV Stable ASA
<b>Radome Colour:</b>	Grey Pantone-424C
<b>Mounting Type:</b>	Ceiling mounted

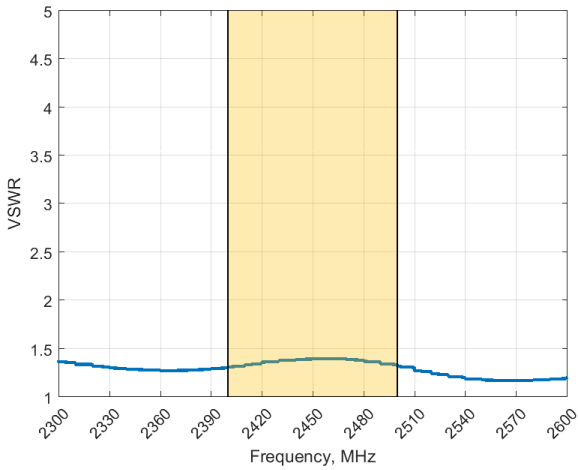
### Environmental Specifications, Certification & Approvals

<b>Wind Survival:</b>	≤120 km/h
<b>Temperature Range (Operating):</b>	-40°C to +80°C
<b>Environmental Conditions:</b>	Outdoor/Indoor
<b>Water Ingress Protection Ratio/Standard:</b>	IP 65
<b>Salt Spray:</b>	MIL-STD 810G/ASTM B117
<b>Operating Relative Humidity:</b>	Up to 98%
<b>Storage Humidity:</b>	5% to 95% - non-condensing
<b>Storage Temperature:</b>	-40°C to +80°C
<b>Enclosure Flammability Rating:</b>	UL 94-HB
<b>Impact Resistance:</b>	IK 08
<b>Product Safety &amp; Environmental:</b>	Complies with CE and RoHS standards



**Antenna Performance Plots**

**VSWR: 2400 – 2500 MHz**



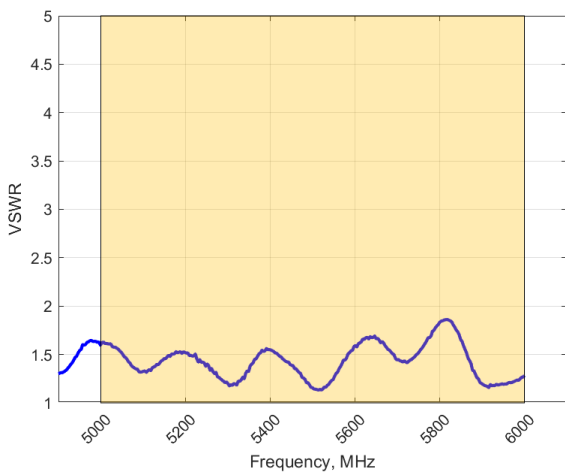
**Voltage Standing Wave Ratio (VSWR)\***

VSWR is a measure of how efficiently radio-frequency power is transmitted from a power source, through a transmission line, into a load. In an ideal system, 100% of the energy is transmitted which corresponds to a VSWR of 1:1.

The HELI-19 delivers superior performance across all bands with a VSWR of <1.5:1.

*\*VSWR measured with 400mm low loss cable*

**VSWR: 5000 – 6000 MHz**



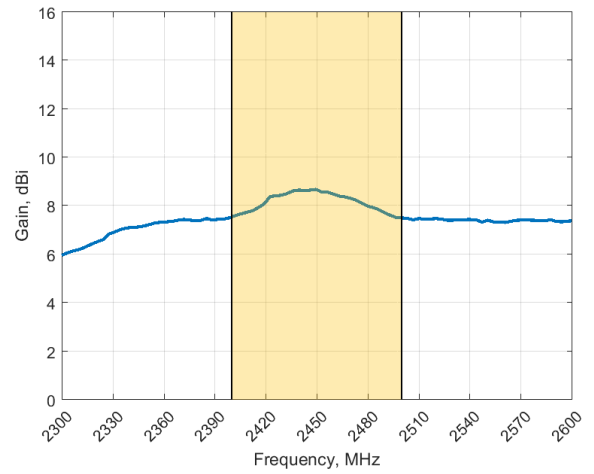
**Voltage Standing Wave Ratio (VSWR)\***

VSWR is a measure of how efficiently radio-frequency power is transmitted from a power source, through a transmission line, into a load. In an ideal system, 100% of the energy is transmitted which corresponds to a VSWR of 1:1.

The HELI-19 delivers superior performance across all bands with a VSWR of <2:1.

*\*VSWR measured with 400mm low loss cable*

**GAIN (EXCLUDING CABLE LOSS): 2400 – 2500 MHz**

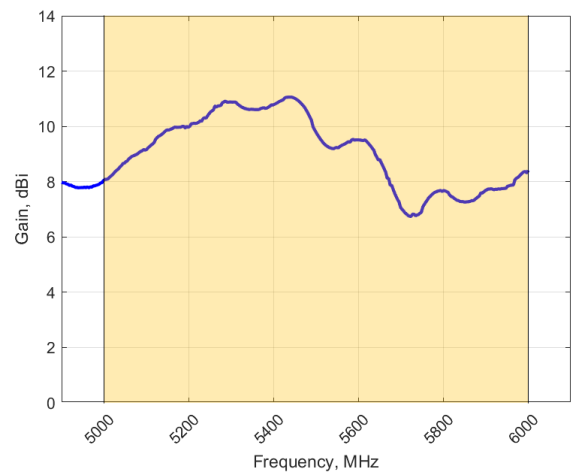


**Gain\* in dBi**

9 dBi is the peak gain across all bands from 2400 – 2500 MHz

*\*Antenna gain measured with circular polarised standard antenna*

**GAIN (EXCLUDING CABLE LOSS): 5000 – 6000 MHz**

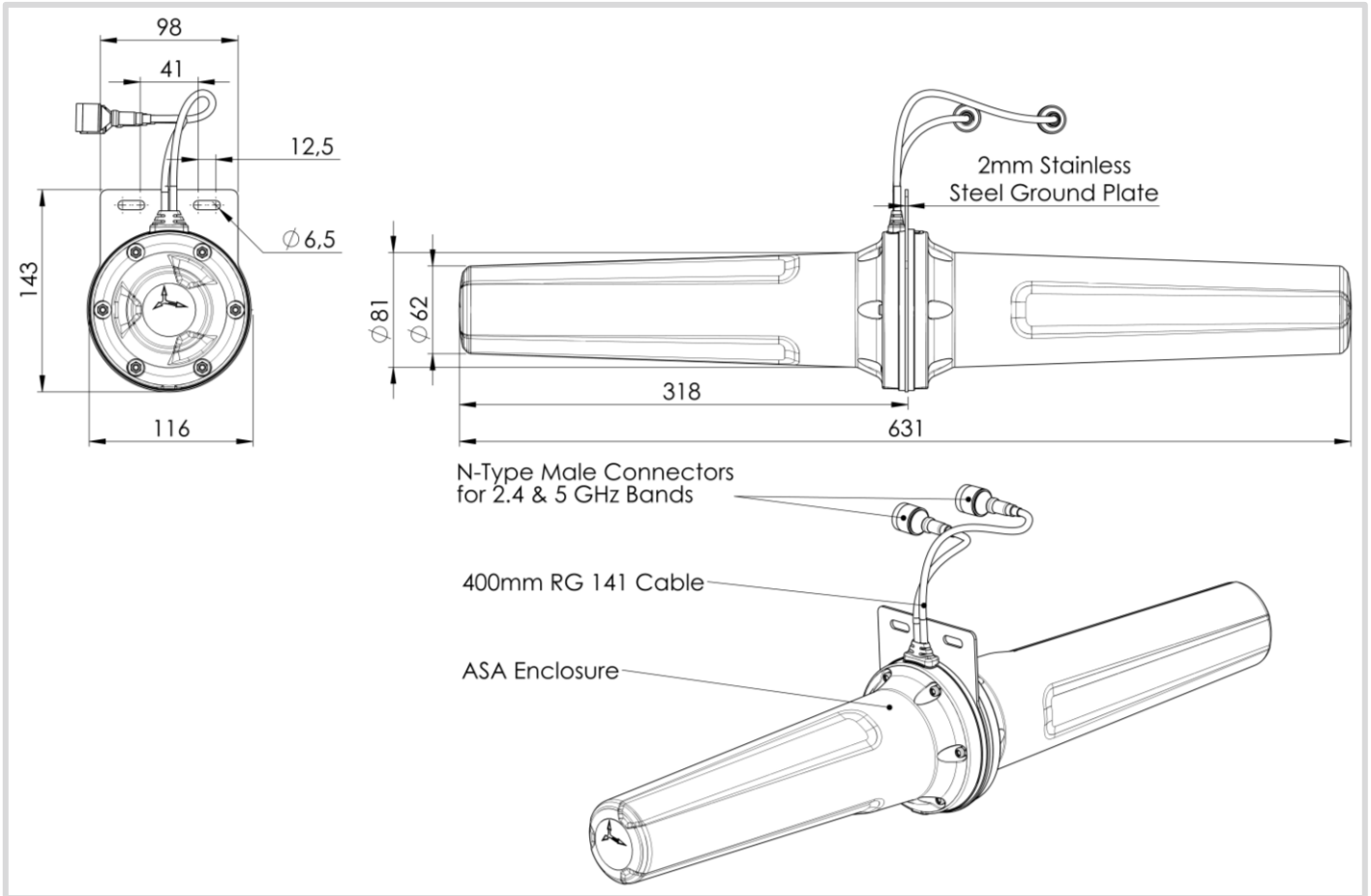


**Gain\* in dBi**

11 dBi is the peak gain across all bands from 5000 – 6000 MHz

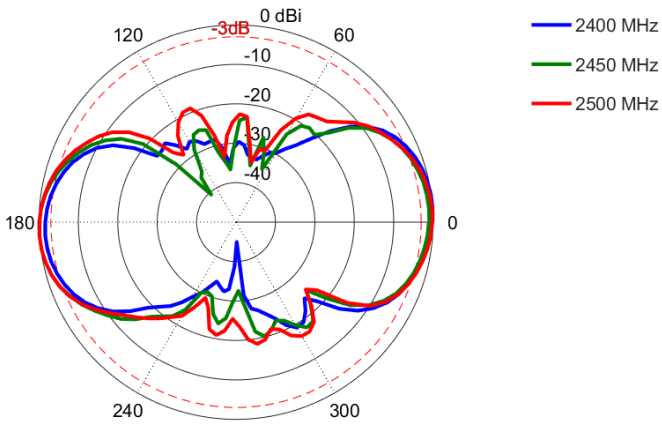
*\*Antenna gain measured with circular polarised standard antenna*

Technical Drawings

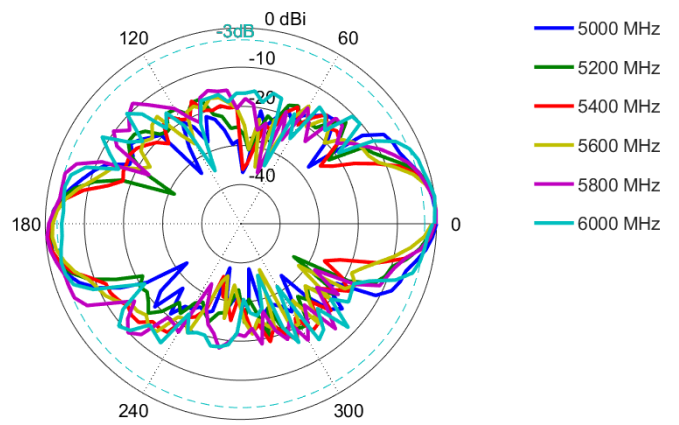


**Radiation Patterns**

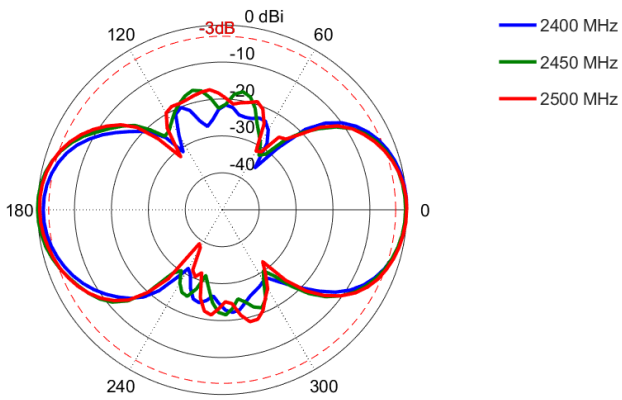
**Azimuth Port 1: 2400 – 2500 MHz**



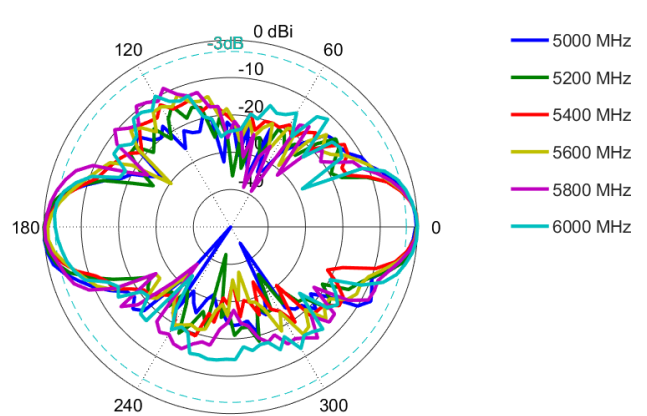
**Azimuth Port 2: 5000 – 6000 MHz**



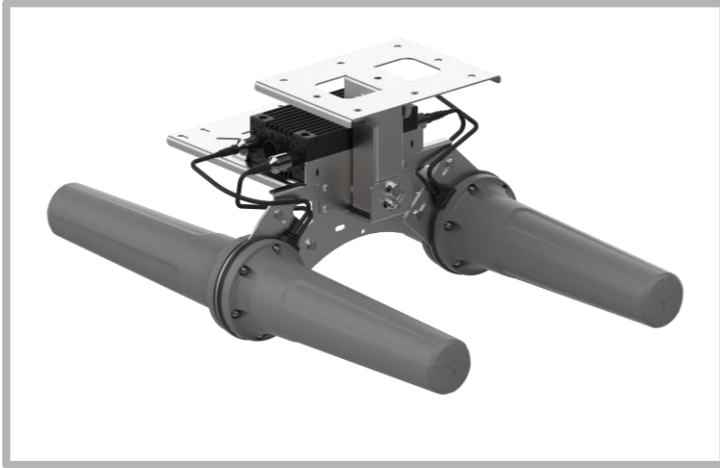
**Elevation Port 1: 2400 – 2500 MHz**



**Elevation Port 2: 5000 – 6000 MHz**



## Antenna Assembly Options



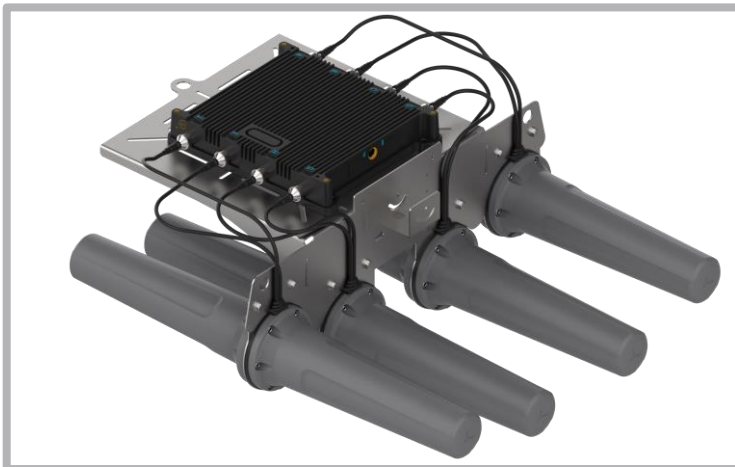
### 1. 2 X 2 MIMO Application: Complete assemblies available with antennas and brackets:

A-HELI-0022-V2-01 consists of:

- A-HELI-0019-V3-01-L \_ Left-Hand, Circular polarised bi-directional antenna
- A-HELI-0019-V3-01-R \_ Right-Hand, Circular polarised bi-directional antenna
- A-BRKT-045-V2-01 \_ Ceiling Mount, swivel bracket

A-HELI-0022-V2-02 consists of:

- A-HELI-0019-V3-01-L \_ Left-Hand, Circular polarised bi-directional antenna
- A-HELI-0019-V3-01-R \_ Right-Hand, Circular polarised bi-directional antenna
- A-BRKT-045-V2-01 \_ Ceiling Mount, swivel bracket
- A-BRKT-047-V2-01 \_ Mine roof bolt attachment accessory



### 2. 4 X 4 MIMO Application: Complete assemblies available with antennas and brackets:

A-HELI-0042-V1-01 consists of:

- 2 x A-HELI-0019-V3-01-L \_ Left-Hand, Circular polarised bi-directional antenna
- 2 x A-HELI-0019-V3-01-R \_ Right-Hand, Circular polarised bi-directional antenna
- A-BRKT-046-V2-01 \_ Ceiling Mount, swivel bracket

A-HELI-0042-V1-02 consists of:

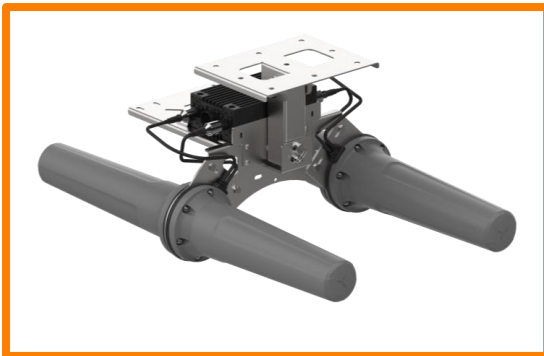
- 2 x A-HELI-0019-V3-01-L \_ Left-Hand, Circular polarised bi-directional antenna
- 2 x A-HELI-0019-V3-01-R \_ Right-Hand, Circular polarised bi-directional antenna
- A-BRKT-046-V2-01 \_ Ceiling Mount, swivel bracket
- A-BRKT-047-V2-01 \_ Mine roof bolt attachment accessory

**Mounting Options**



**Base Mount**

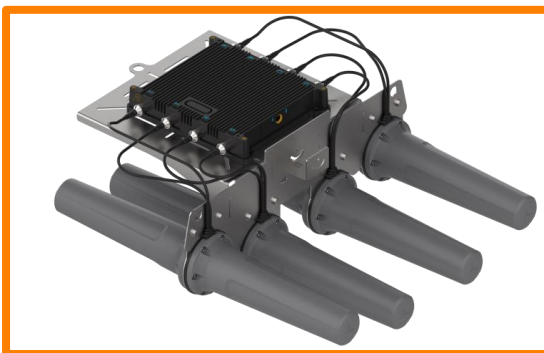
The antenna can be suspended directly using the two slots on its base.



**Ceiling Mount (MIMO) - Optional**

An optional multi-directional swivel bracket is available for mounting 2 x miniHELI antennas (right-hand circular and left-hand circular polarised antennas) to a ceiling for MIMO application.

This option uses A-BRKT-045-V2-01.



**Ceiling Mount (MIMO) - Optional**

An optional multi-directional swivel bracket is available for mounting 4 x miniHELI antennas (2 x right-hand circular and 2 x left-hand circular polarised antennas) to a ceiling for MIMO application.

This option uses A-BRKT-046-V2-01.

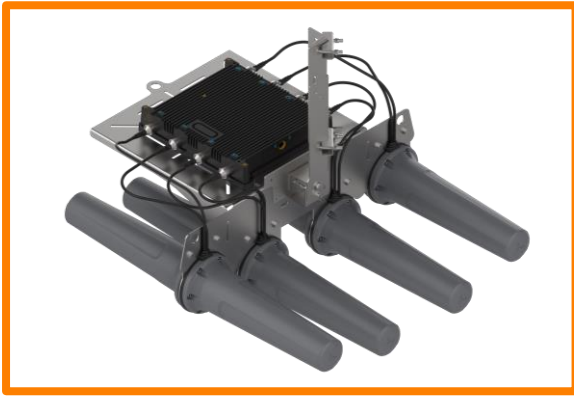


**Roof Bolt Mount (MIMO) - Optional**

This optional 20mm roof bolt mounting bracket attachment is used in conjunction with BRKT-45 for mounting to standard mine roof bolts.

This option uses A-BRKT-047-V2-01.



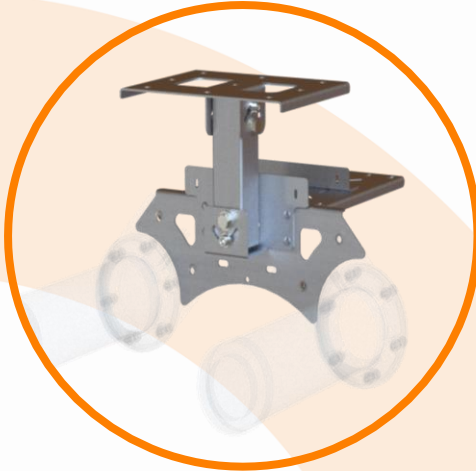


### Roof Bolt Mount (MIMO) - Optional

This optional 20mm roof bolt mounting bracket attachment is used in conjunction with BRKT-46 for mounting to standard mine roof bolts.

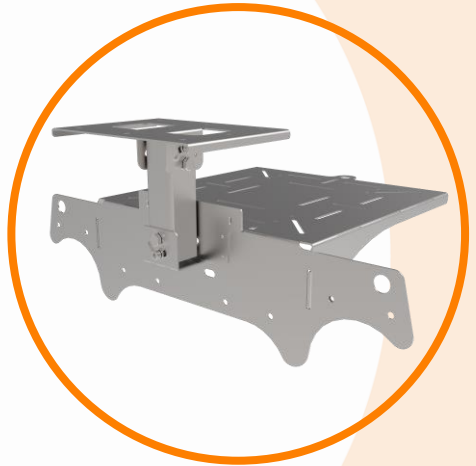
This option uses A-BRKT-047-V2-01.

## Additional Accessories



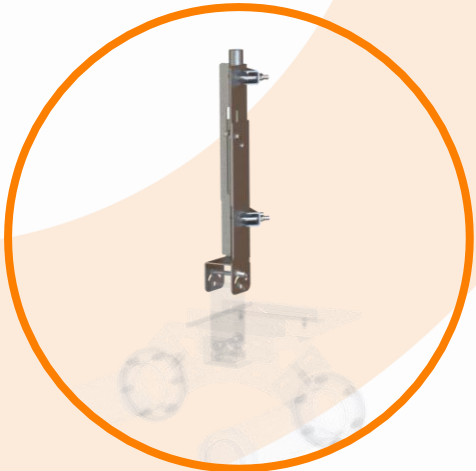
### A – BRKT – 045 -V2 - 01

Ceiling mounting bracket for holding miniHELI right-hand and left-hand circular polarised antennas.



### A – BRKT – 046 -V2 - 01

Mining tunnel roof mount bracket for 4x mini-HELI antennas.



### A – BRKT – 047 -V2 - 01

Ceiling 20mm rod mounting bracket attachment to use with BRKT-45 and BRKT-46.

See accessories technical specifications on [www.poynting.tech](http://www.poynting.tech)

## CONTACT POYNTING

### Poynting Antennas (Pty) Ltd - Head Office

Unit 4, N1 Industrial Park,  
Landmarks Avenue,  
Samrand, 0157, South Africa

**Phone:** +27 (0) 12 657 0050

**E-mail:** [info@poynting.tech](mailto:info@poynting.tech)

**International Email:** [sales-global@poynting.tech](mailto:sales-global@poynting.tech)

### Poynting Europe

Regus Business Center Neue Messe Riem  
Kronstadter Straße 4  
81677 München  
Germany

**Phone:** +49 89 7453 9002

**E-mail:** [sales-europe@poynting.tech](mailto:sales-europe@poynting.tech)

### Poynting USA

1804 Owen Court, Suite 104,  
Mansfield,  
TX 76063  
USA

**Phone:** +1 817 533-8130

**E-mail:** [sales-us@poynting.tech](mailto:sales-us@poynting.tech)